

Sanihair Trap®

Excessive hair and lint pose a large risk of blocking pumps, and can incur high ongoing service costs as a result. The installation of a hair trap on hairwash basin drains provides a simple and efficient filter prior to a pump. This cost effective solution gives an easy to maintain and proactive method of preventing loss of business and extends the lifespan of the connected pumps.

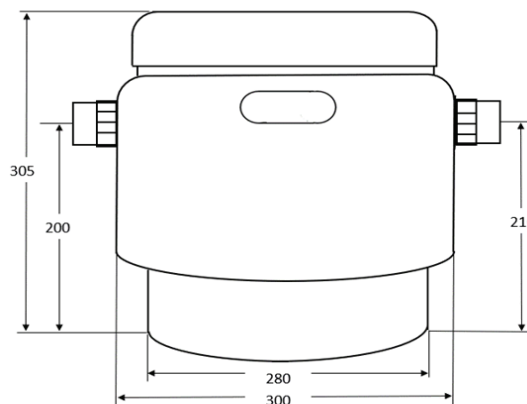


TECHNICAL CHARACTERISTICS

Waste connections	50mm
Construction material	Polyethylene/PVC
Basket	PVC mesh
Number of basins	3
Dimensions	300x300x305mm

WHY CHOOSE THIS PRODUCT?

- Quick access lid
- Removable basket filter for easy servicing
- Reduces the chance of hair blockages in drain lines and pumps
- Robust polyethylene tank
- Extends lifespan of pumps connected



NOTE: Warranty only applied when the hair trap is connected to Saniflo pumps.